

*Please read this manual carefully before using the Cambo CA-GFX!*

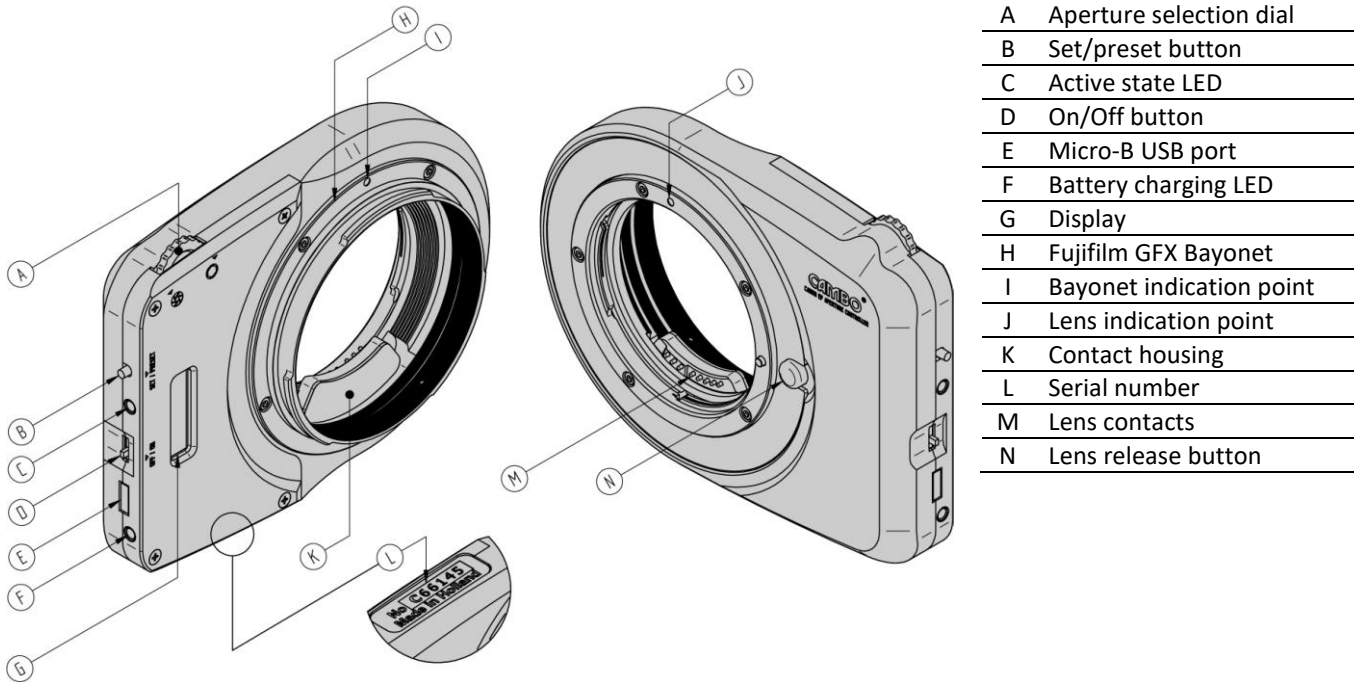


Figure 1: CA-GFX Canon lens adapter front/rear view

## User instructions

The CA-GFX is compatible with the Fujifilm GFX 50s medium format mirrorless digital camera system. The aperture controller is compatible with Canon EOS lenses, the image plane coverage depends on the image circle of the used lens. Please note that when using a Canon STM lens the focus ring doesn't function because these lenses use a focus-by-wire system.

- 1 Mount the lens adapter to the Fujifilm GFX camera using the bayonet GFX mount (H). Align the bayonet indication point (I) to the indication point of the camera. Place the bayonet on the camera and turn until it locks into place.
- 2 Mount a Canon lens to the lens adapter by aligning the red dot (I) and turning the lens clockwise until the lens snaps in the lens lock.
- 3 In case the "on/off button" (D) is set to the "off" position, slide the button to the right, to the "on" position. When a lens is mounted the blue LED (C) will lit. Please note: that the lens adapter goes to standby-modus after 5min, the blue LED will turn off to save power.
- 4 To select the aperture please dial the "aperture selection dial" (A), counter-clockwise to close the aperture or clockwise to open the aperture. The display will show the focus length of the lens

followed by the selected aperture, for example 40mm f/5.6P. The “P” after the aperture means that this is the preselected aperture, not the current aperture.



- 5 To set the displayed preselected “P” aperture value press the “set/preset button” (B). Please note you can also press the “aperture selection dial” (A) to set the selected value.
- 6 To change between the preset aperture and the widest lens aperture you can press the “set/preset button” (B).
- 7 After 5 seconds the display turns to black, you can press button (B) to wake up the display.
- 8 To dismount the lens please press the “lens release button” (N) and rotate the lens counter-clockwise.

### **Battery life/charging**

When you press and hold button (B) for more than 2 seconds the battery capacity is shown. To charge the battery please connect USB port (E) to a USB power source. When the lens adapter is charging the green LED (F) will lit. When the battery is fully charged the green LED will turn off. The lens adapter will remain functional while the battery is charging or connected to an USB power source.

Please note: that the lens adapter goes to the stand by modus after 5min to save power. The set aperture will remain when the unit is in standby modus. It’s not necessary to turn the lens adapter off (D) when not in use. To reset the lens adapter please switch the “on/off button” (D) to “off” and back to “on”.

### **Warnings:**

-  When dismounting the lens adapter/lens always support the adapter and/or lens.
-  Disclaimer: we are NOT licensed, approved or endorsed by Canon® or Fujifilm®, customers use at their own risk.