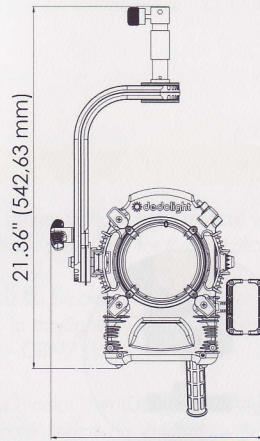


# DLED12 DMX TECHNICAL DATA

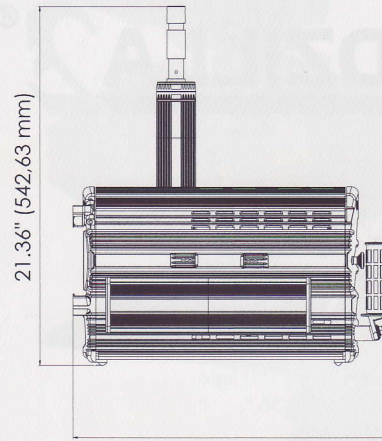
## DLED12-D-DMX, DLED12-T-DMX, DLED12-BI-DMX

### Pole-Operated Versions (n.s.):

- DLED12-D-PO-DMX
- DLED12-T-PO-DMX
- DLED12-BI-PO-DMX



12.73" (323,37 mm)



19.06" (484,14 mm)

### FOCUSING LED LIGHT HEAD:

#### DLED12-D/-T/-BI-DMX

Focus Range (Intensity Range)	65-8° (1:6) with optional aspheric wide-angle attachment: 85-54°
Focus Control	Focus control on back
Dimming	Continuously from 100-0%
Power	90-264V AC * 240VA / 2.4-1 A 250W
Mounting	5/8" (16 mm) receptacle and 1 1/8" (28 mm) stud
Operating Position	+/- 90° (from horizontal)
Tilt Control	Adjustable friction
Accessory Holder	Ø 6.6" (169 mm)
Safety	Protection Class I, IP40
Cooling	Active heat pipe cooling with super quiet fan system
UV	No UV radiation
Weight	11,000 g ( 25 lb)
Size	W: 12.73" (323.5 mm) L: 15.40" (391.2 mm) H: 15" (381 mm)

\*) functional range including tolerances

### DLED12-D-DMX Focusing LED Light Head. Daylight approx. 5600K

Distance	Meter	1	2	3	5	10	15
	Feet	3'	6'	9'	15'	30'	45'
Flood	Lux	11,250	2,813	1,250	450	113	50
	Foot Candle	1,046	261	116	42	11	4.6
Medium	Lux	26,000	6,500	2,888	1,040	260	116
	Foot Candle	2,416	604	268	97	24	11
Spot	Lux	94,500	23,625	10,500	3,780	945	420
	Foot Candle	8,783	2,196	976	351	88	39

### DLED12-T-DMX Focusing LED Light Head. Tungsten approx. 3200K

Distance	Meter	1	2	3	5	10	15
	Feet	3'	6'	9'	15'	30'	45'
Flood	Lux	9,090	2,273	1,010	364	91	40
	Foot Candle	845	211	94	34	8.5	3.7
Medium	Lux	18,180	4,545	2,020	727	182	81
	Foot Candle	1,690	422	188	68	17	8
Spot	Lux	52,000	18,700	8,311	2,992	748	332
	Foot Candle	4,833	1,738	771	278	70	31

### DLED12-BI-DMX Focusing LED Light Head. Bicolor measured at 5600K – daylight

Color temperature continuously adjustable from 2700 – 6500K

Distance	Meter	1	2	3	5	10	15
	Feet	3'	6'	9'	15'	30'	45'
Flood	Lux	8,400	2,100	933	336	84	37
	Foot Candle	780	195	87	31	8	3.4
Medium	Lux	20,800	5,200	2,310	832	208	93
	Foot Candle	1,933	483	215	77	19	9
Spot	Lux	90,900	22,725	10,100	3,636	909	404
	Foot Candle	8,448	2,112	939	338	85	38

Bicolor in tungsten function ~ 17% lower output